

FORCED CIRCULATION TANKS 50 - 120L

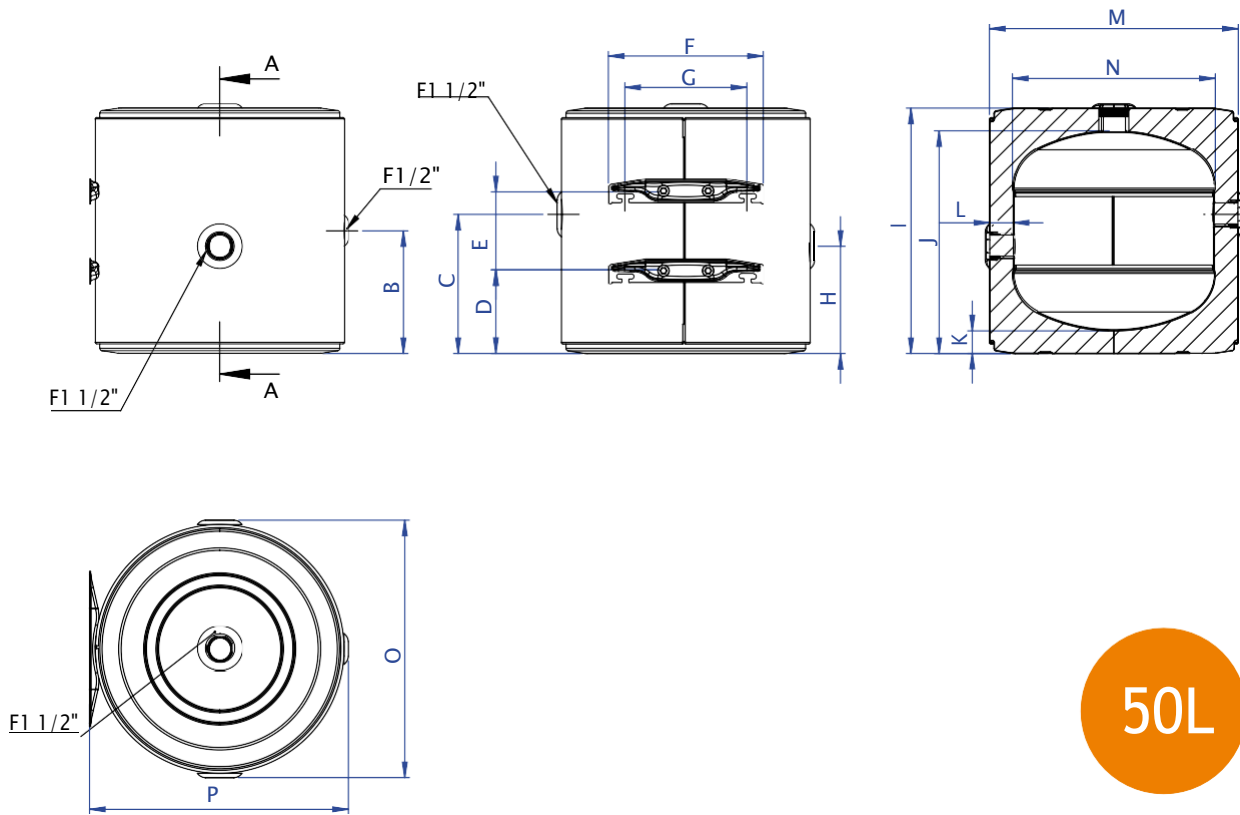
BUFFER STORAGE TANKS Ø530 / 50 - 120L



TECHNICAL SPECIFICATIONS

MODEL		50lt Ø530	80lt Ø530	100lt Ø530	120lt Ø530
Capacity	Lt	50	80	100	120
Max. Operational pressure	bar	8			
Insulation Expanded polyurethane	mm	50			
Weight empty	kg	24	31	36	41
Test pressure	bar	12			
Max. Operational temperature	°C	95			

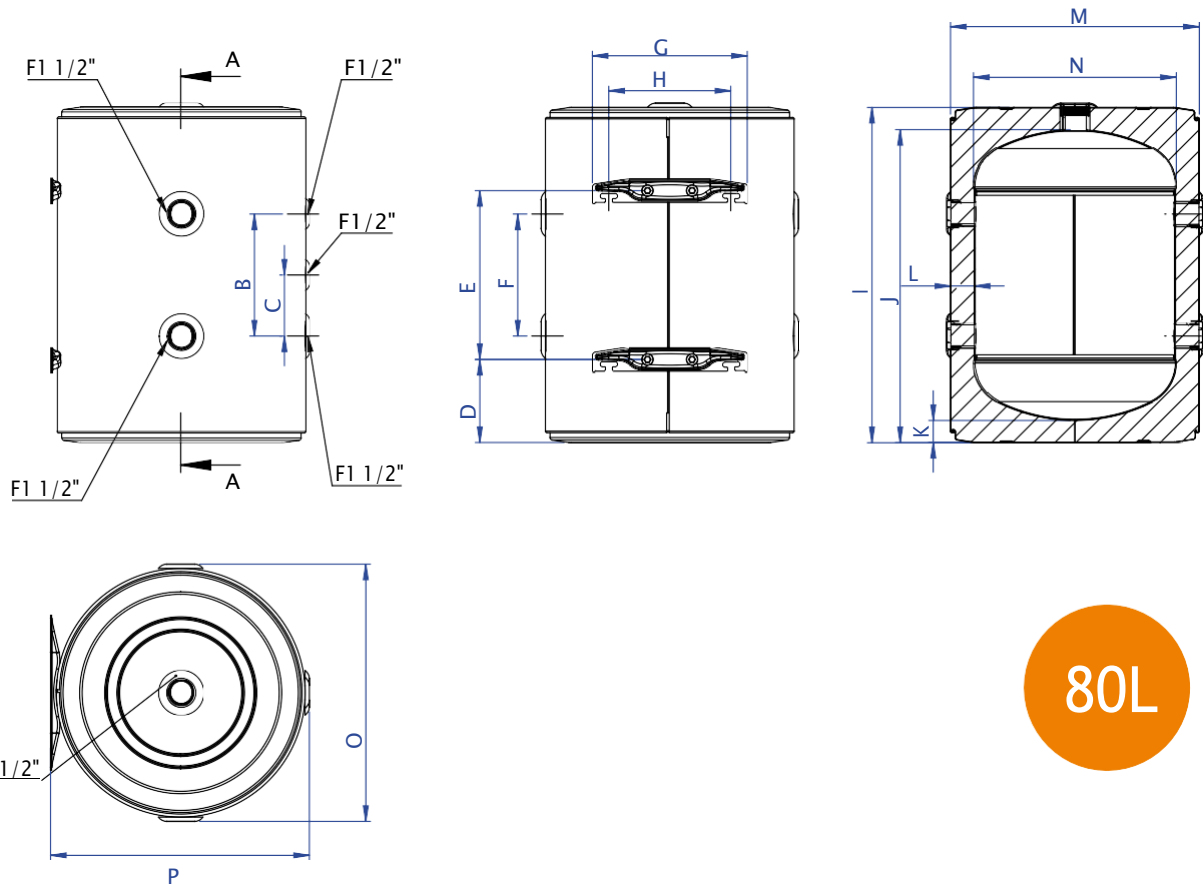




50L

TYPE	B	C	D	E	F	G	H	I	J	K	L	M	N	O	P
50 L	261	296	178	166	330	260	228	523	474	48	50	Ø530	Ø432	548	551

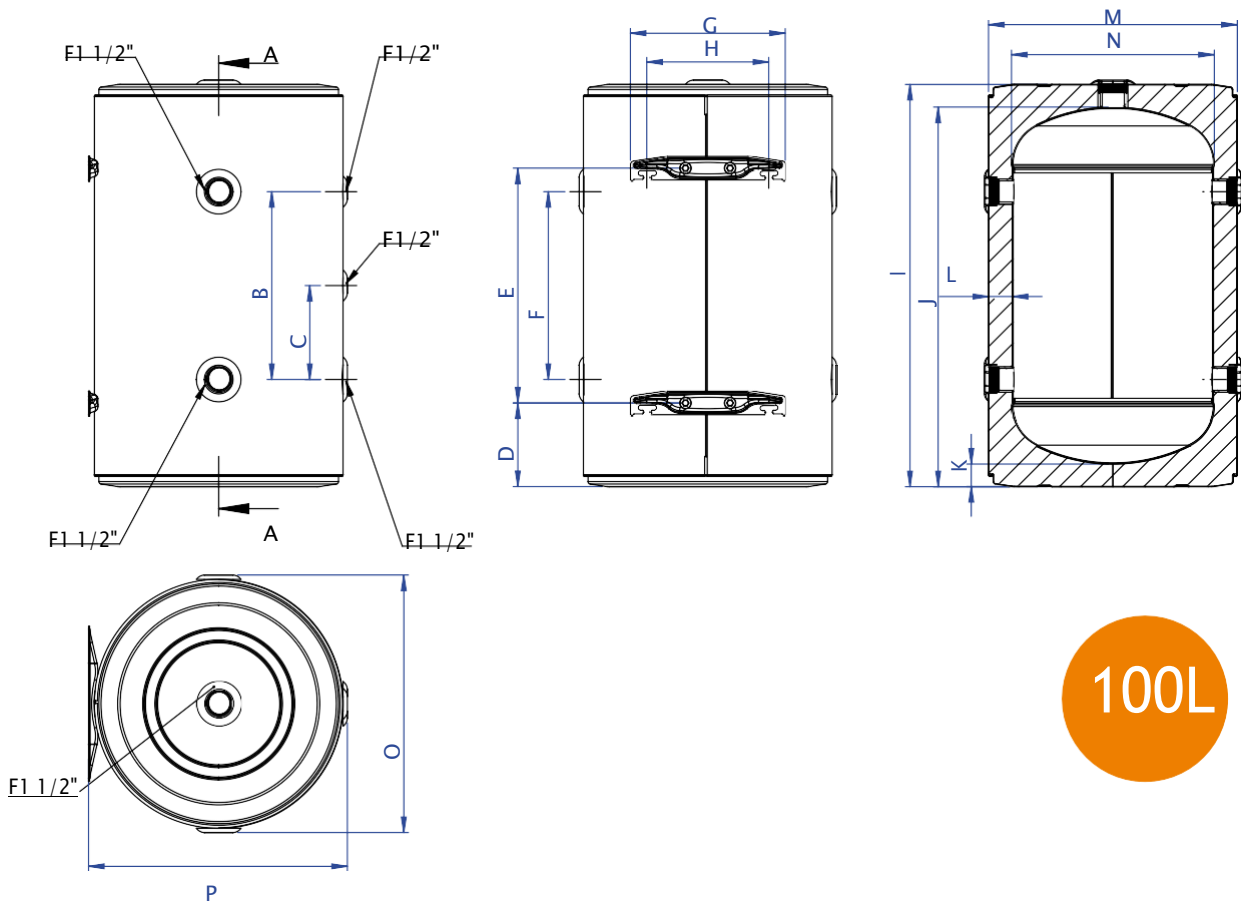
Dimensions (mm)



80L

TYPE	B	C	D	E	F	G	H	I	J	K	L	M	N	O	P
80L	260	130	177	360	260	330	260	715	667	48	50	Ø530	Ø432	548	551

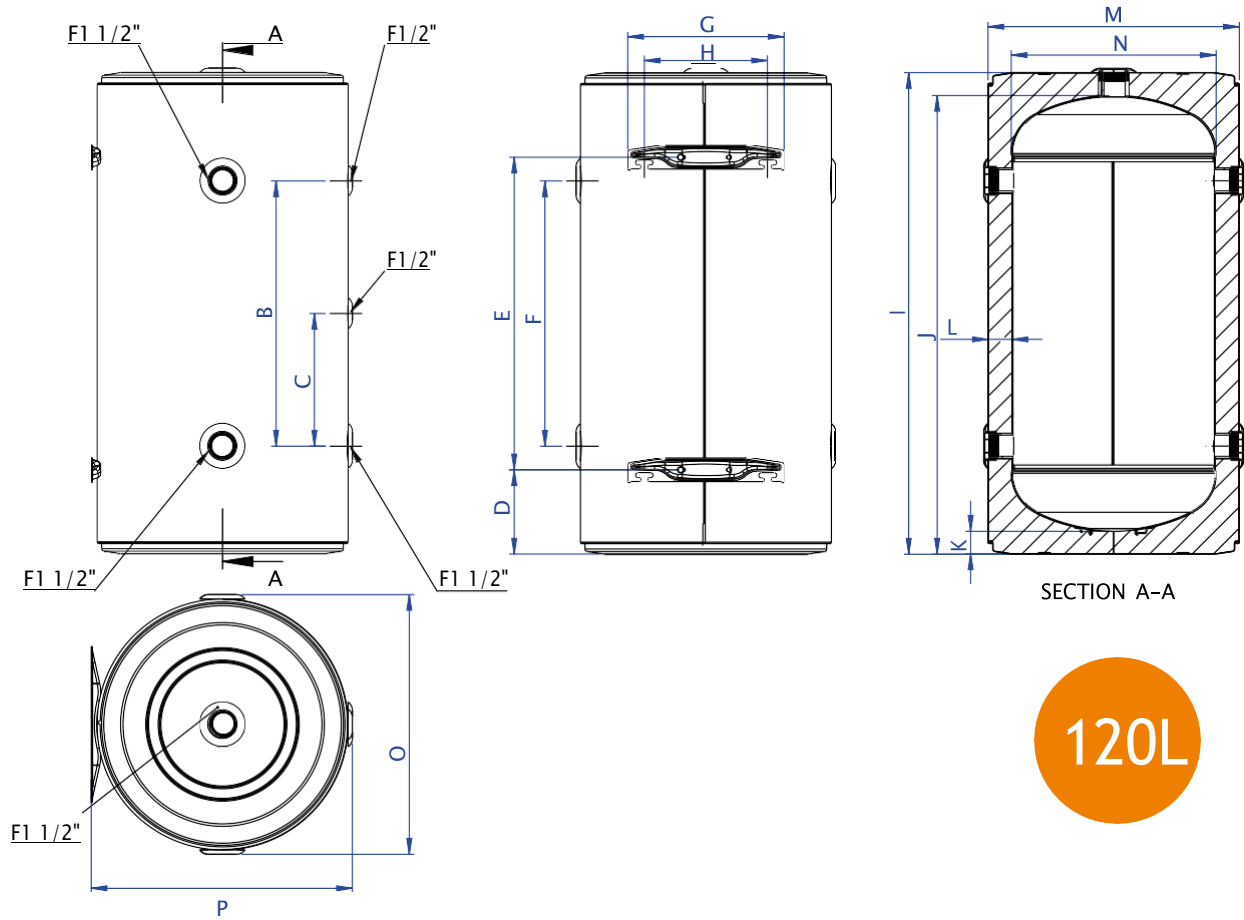
Dimensions (mm)



100L

TYPE	B	C	D	E	F	G	H	I	J	K	L	M	N	O	P
100L	400	200	178	500	400	330	260	857	808	48	50	Ø530	Ø432	548	551

Dimensions (mm)



120L

TYPE	B	C	D	E	F	G	H	I	J	K	L	M	N	O	P
100L	560	280	178	660	560	330	260	1017	968	48	50	Ø530	Ø432	548	551

Dimensions (mm)



Ø530 / 50 - 120Lt

Termometal d.o.o.
Industrijska ulica 3, 43280 Garešnica, Croatia

tel: +385 43 531 398

e-mail: prodaja@termometal.hr

[http: www.termometal.hr](http://www.termometal.hr)

[http: www.neotherm.eu](http://www.neotherm.eu)

