



PERFORMANCE RANGE

- Flow rate up to **80 l/min** (4.8 m³/h)
- Head up to **70 m**

APPLICATION LIMITS

- Manometric suction lift up to **9 m** (HS)
- Liquid temperature between **-10 °C** and **+40 °C**
- Ambient temperature up to **+40 °C**
- Max. working pressure **6.5 bar**
- Continuous service **S1**

CONSTRUCTION AND SAFETY STANDARDS

EN 60335-1
IEC 60335-1
CEI 61-150

EN 60034-1
IEC 60034-1
CEI 2-3



CERTIFICATIONS



AI30



IPOMTECT-168

INSTALLATION AND USE

Suitable for use with clean water and liquids that are not chemically aggressive towards the materials from which the pump is made. The self-priming JSW pumps are designed to pump water even in cases where air is present. As a result of their reliability and the fact that they are easy to use, they are recommended for use in domestic applications such as the distribution of water in combination with small or medium sized pressure sets, and for the irrigation of gardens and allotments, etc.

The pump should be installed in an enclosed environment, or at least sheltered from inclement weather.

PATENTS - TRADE MARKS - MODELS

- Registered Italian model n° 72753
- European Patent n° 1 510 696

OPTIONALS AVAILABLE ON REQUEST

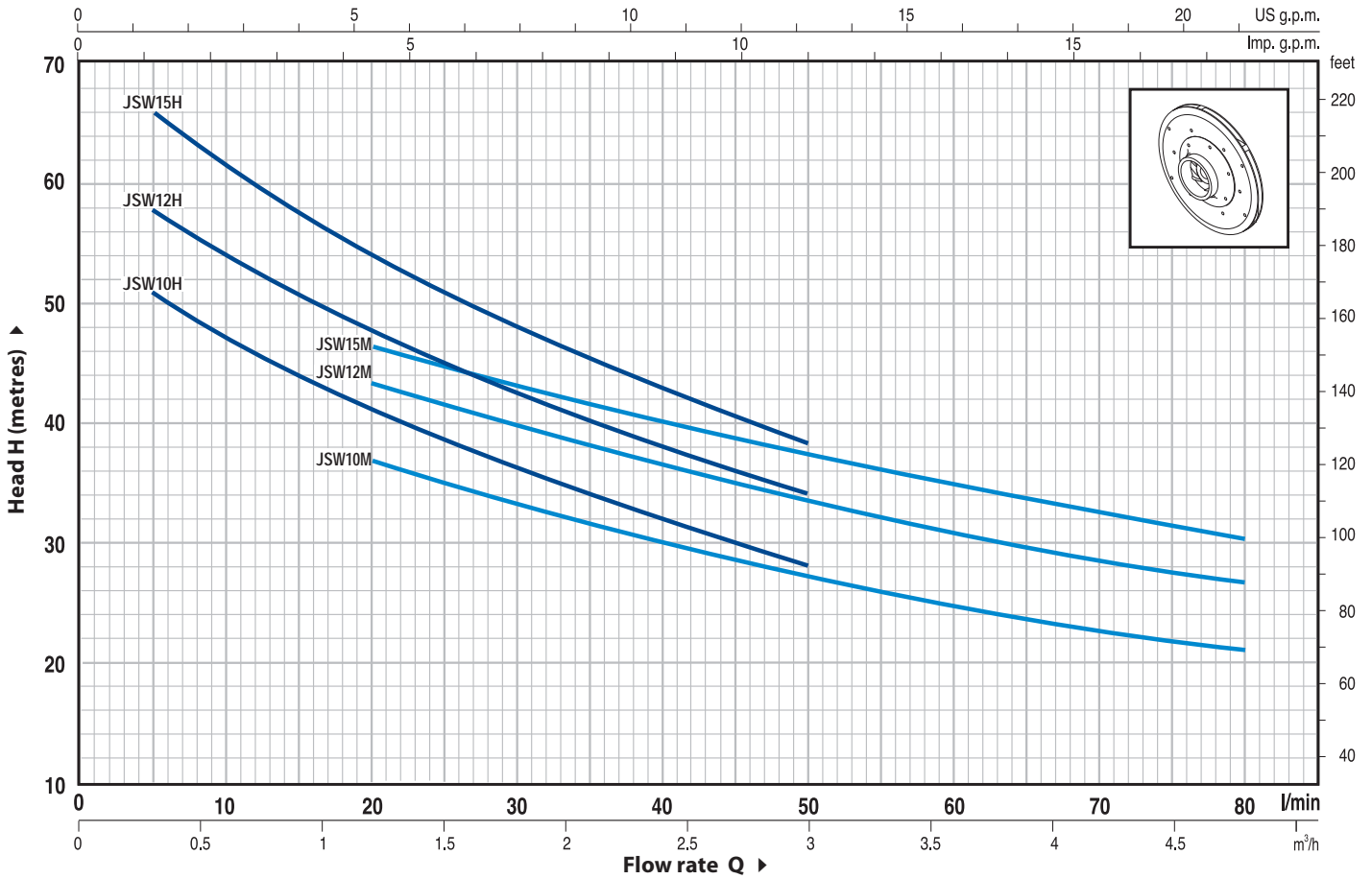
- Pumps with technopolymer impeller
- Other voltages or 60 Hz frequency

GUARANTEE

year subject to terms and conditions

CHARACTERISTIC CURVES AND PERFORMANCE DATA

50 Hz n= 2900 1/min HS= 0 m

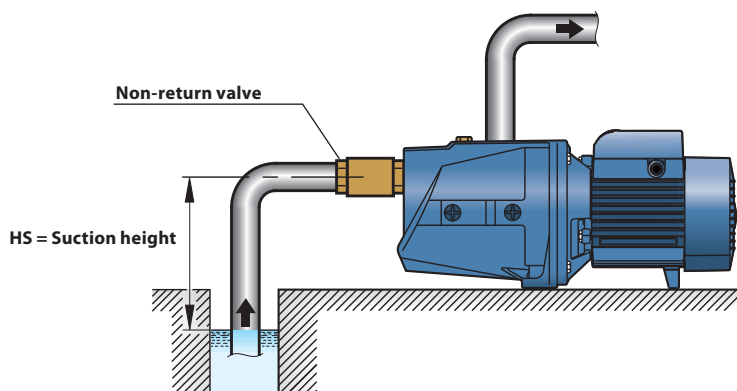


MODEL		POWER		Q	Flow rate (l/min)															
Single-phase	Three-phase	kW	HP		0	0.3	0.6	0.9	1.2	1.5	1.8	2.4	2.7	3.0	3.6	4.2	4.8			
JSWm 10H	JSW 10H	0.75	1	H metres	56	51	47	44	41	39	36	32	30	28						
JSWm 12H	JSW 12H	0.90	1.25		64	58	54	51	48	45	43	38	36	34						
JSWm 15H	JSW 15H	1.1	1.5		70	66	62	58	54	51	48	43	41	38						
JSWm 10M	JSW 10M	0.75	1		46	42	40	38	37	35	33	30	29	27	25	23	21			
JSWm 12M	JSW 12M	0.90	1.25		50	48	46	44	42	41	39	36	35	33	31	29	27			
JSWm 15M	JSW 15M	1.1	1.5		55	52	50	48	46	45	43	40	39	37	35	33	30			

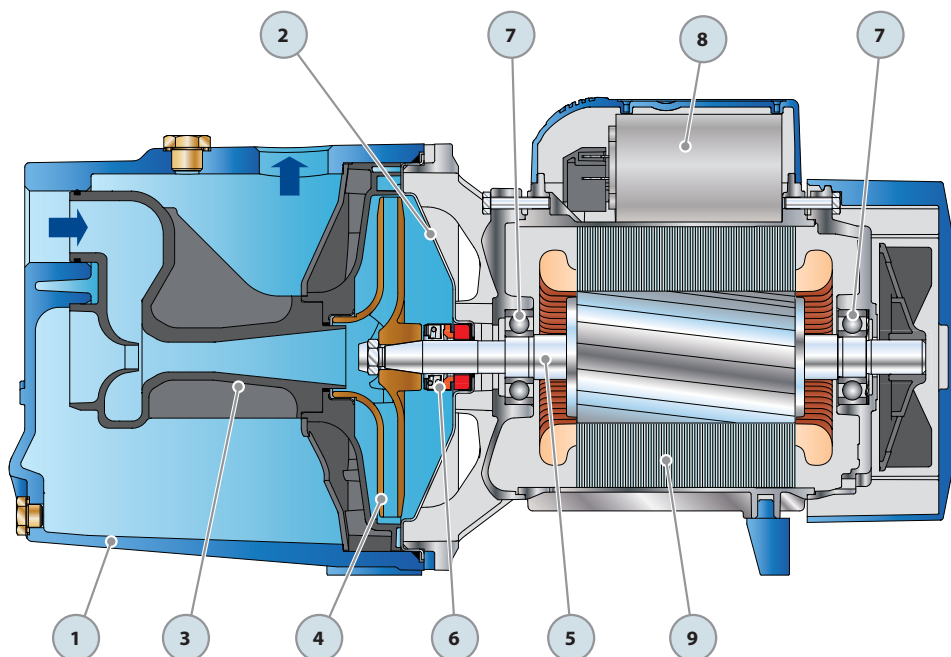
Q = Flow rate H = Total manometric head HS = Suction height

Tolerance of characteristic curves in compliance with EN ISO 9906 App. A.

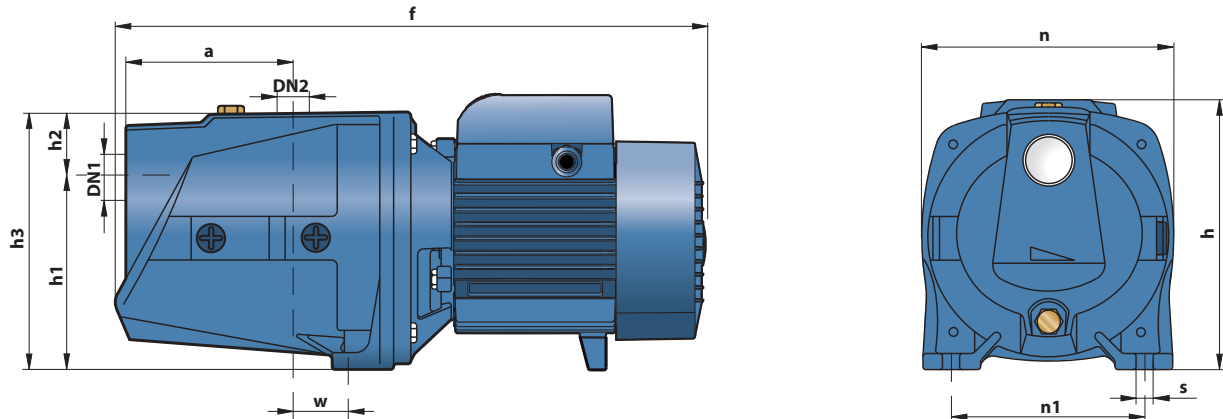
INSTALLATION EXAMPLE



POS.	COMPONENT	CONSTRUCTION CHARACTERISTICS				
1	PUMP BODY	Cast iron, complete with threaded ports in compliance with ISO 228/1				
2	BODY BACKPLATE	Stainless steel AISI 304				
3	NOZZLE ASSEMBLY	Noryl GFN2V				
4	IMPELLER	Brass				
5	MOTOR SHAFT	Stainless steel EN 10088-3 - 1.4104				
6	MECHANICAL SEAL	<i>Seal</i>	<i>Shaft</i>	<i>Materials</i>		
		<i>Model</i>	<i>Diameter</i>	<i>Stationary ring</i>	<i>Rotational ring</i>	<i>Elastomer</i>
		AR-14	Ø 14 mm	Ceramic	Graphite	NBR
7	BEARINGS	6203 ZZ / 6203 ZZ				
8	CAPACITOR	<i>Pump</i>	<i>Capacitance</i>			
		<i>Single-phase</i>	<i>(230 V or 240 V)</i>	<i>(110 V)</i>		
		JSWm 10H-M	20 µF 450 VL	60 µF 300 VL		
		JSWm 12H-M	25 µF 450 VL	60 µF 300 VL		
		JSWm 15H-M	25 µF 450 VL	60 µF 300 VL		
9	ELECTRIC MOTOR	<p>JSWm: single-phase 230 V - 50 Hz with thermal overload protector built-in to the winding. JSW: three-phase 230/400 V - 50 Hz.</p> <p>➔ Pumps fitted with the three-phase motor option offer IE2 (IEC 60034-30) class high performance</p> <p>– Insulation: F class. – Protection: IP 44.</p>				



DIMENSIONS AND WEIGHT



MODEL		PORTS		DIMENSIONS mm										kg	
Single-phase	Three-phase	DN1	DN2	a	f	h	h1	h2	h3	n	n1	w	s	1~	3~
JSWm 10H	JSW 10H	1"	1"	113.5	402	201	147	35	182	180	142	22	10	13.7	13.8
JSWm 12H	JSW 12H													14.7	13.6
JSWm 15H	JSW 15H													15.1	14.8
JSWm 10M	JSW 10M													13.7	13.8
JSWm 12M	JSW 12M													14.7	13.6
JSWm 15M	JSW 15M													15.1	14.8

ABSORPTION

MODEL	VOLTAGE (single-phase)		
	230 V	240 V	110 V
Single-phase	230 V	240 V	110 V
JSWm 10H	4.7 A	4.5 A	9.4 A
JSWm 12H	5.4 A	5.0 A	10.8 A
JSWm 15H	6.6 A	6.0 A	13.2 A
JSWm 10M	5.0 A	4.6 A	10.0 A
JSWm 12M	5.7 A	5.2 A	11.4 A
JSWm 15M	6.6 A	6.0 A	13.2 A

MODEL	VOLTAGE (three-phase)					
	230 V	400 V	690 V	240 V	415 V	720 V
Three-phase	230 V	400 V	690 V	240 V	415 V	720 V
JSW 10H	3.5 A	2.0 A	1.2 A	3.4 A	2.0 A	1.2 A
JSW 12H	4.2 A	2.4 A	1.4 A	4.0 A	2.3 A	1.3 A
JSW 15H	5.5 A	3.2 A	1.8 A	5.3 A	3.1 A	1.8 A
JSW 10M	3.6 A	2.1 A	1.2 A	3.5 A	2.0 A	1.2 A
JSW 12M	4.5 A	2.6 A	1.5 A	4.3 A	2.5 A	1.4 A
JSW 15M	5.5 A	3.2 A	1.8 A	5.3 A	3.1 A	1.8 A

PALLETIZATION

MODEL		GROUPAGE				CONTAINER			
Single-phase	Three-phase	n° pumps	H (mm)	kg		n° pumps	H (mm)	kg	
				1~	3~			1~	3~
JSWm 10H	JSW 10H	72	1460	1000	1010	96	1900	1330	1340
JSWm 12H	JSW 12H	72	1460	1080	1000	96	1900	1430	1330
JSWm 15H	JSW 15H	72	1460	1110	1090	96	1900	1470	1440
JSWm 10M	JSW 10M	72	1460	1000	1010	96	1900	1330	1340
JSWm 12M	JSW 12M	72	1460	1080	1000	96	1900	1430	1330
JSWm 15M	JSW 15M	72	1460	1110	1090	96	1900	1470	1440

